



# UAT MTP



Design and Produce by MTP(Manufactory)

**Yours Speed Radar Sign  
With Digital face  
With message:**

**THANK YOU  
&  
SLOW DOWN**



## Technical Specification

**MTP POLAND sp.zo.o**

NIP: 5252655683 REGON: 364224743 KRS: 0000612101

Email: [info@mtpoland.com](mailto:info@mtpoland.com)

[www.UATmtp.com](http://www.UATmtp.com)

<b>Dimension</b>	<b>Size : 68*192*20cm</b>
<b>Weight</b>	<b>35Kg</b>
<b>Body Material</b>	<b>Aluminum black color Electrostatic powder coated</b>
<b>Battery</b>	<b>Internal 12-volt, 54 Ah, sealed lead acid</b>
<b>Solar power</b>	<b>100 Watts, Life time more than 20 years</b>
<b>Display model</b>	<b>2 digits with 7 segment LED board And Emoji Face and Message</b>
<b>LED quantity</b>	<b>396pcs Super high bright</b>
<b>LED Color</b>	<b>198pcs Red + face SLOW DOWN 198pcs Green + face THANK YOU</b>
<b>Emoji Face display</b>	<b>64*64 pixel Red &amp; Green</b>
<b>Message display</b>	<b>32*64 pixel Red &amp; Green</b>
<b>LED Life</b>	<b>More than 100,000 Hours</b>
<b>Light luminous</b>	<b>8000mcd</b>
<b>Radar</b>	<b>CW Doppler device operating in the K-Band (24GHz)</b>
<b>Speed Detection Rang</b>	<b>1km/h – 99km/h</b>
<b>Detection distance</b>	<b>≤100m</b>
<b>Response Time</b>	<b>≤5ms</b>
<b>Working time after full charge</b>	<b>4 days</b>
<b>Visible distance</b>	<b>More than 100m</b>
<b>Angle</b>	<b>100 Degree</b>
<b>Reflective sheet</b>	<b>3M</b>

**MTP POLAND sp.zo.o**

NIP: 5252655683 REGON: 364224743 KRS: 0000612101

Email: [info@mtppoland.com](mailto:info@mtppoland.com)

[www.UATmtp.com](http://www.UATmtp.com)

## LED



LEDs are identified very well and amount of their desired life is 100.000 hours in lawful range for traffic light and traffic signals and its light intensity is 8000mcd. Total numbers of LEDs in one module are equal to 396pcs for Seven Segment.

## Battery



Sealed Lead Acid batteries of 2x12v 54Ah, having desired life of 5 years.

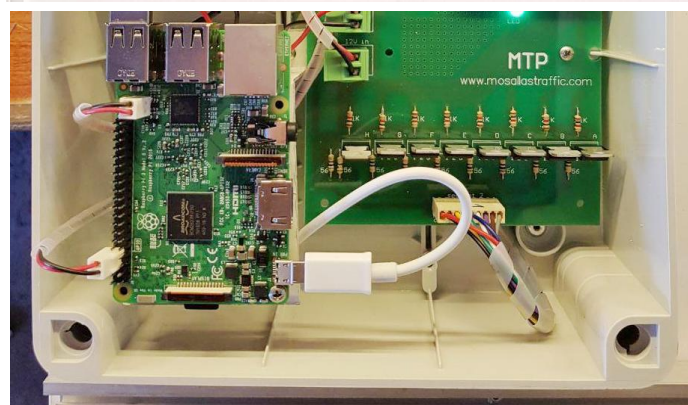
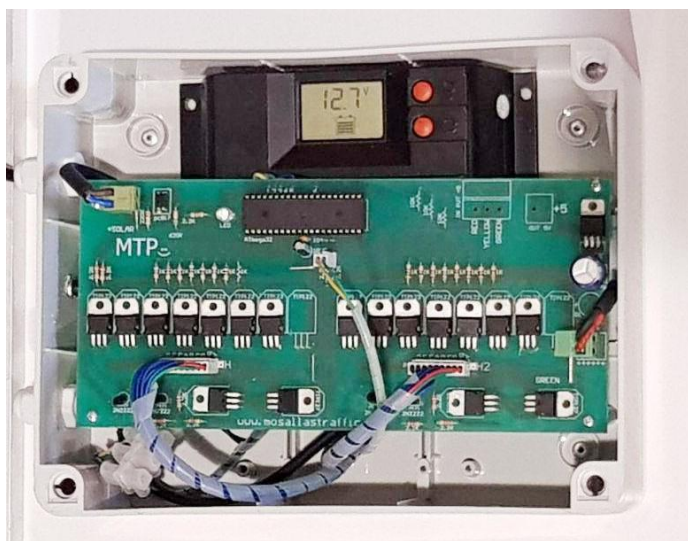
**MTP POLAND sp. z o.o**

NIP: 5252655683 REGON: 364224743 KRS: 0000612101

Email: [info@mtpoland.com](mailto:info@mtpoland.com)

[www.UATmtp.com](http://www.UATmtp.com)

## Intelligent Microcontroller System



- Measuring voltage of battery, charge current and related measuring.
- Light Regulation and optimization of consumption, according to charge current (environmental light) and battery voltage.
- Neutralizing of change effects of battery voltage in light illumination of flashing light.
- Preventing of battery over charge and undesired de-charge of battery and neutralizing effect of heat.
- Using modulation of PWM for changing light illumination.
- Probability of performing all changes, according to orders of buyer, (Software changes).
- Working time, without any charge and with full battery is almost 4 days.
- Charging time for empty battery is 18 hours in case of performing operation, and 14 hours without any operation.
- Maximum exited rates (day) into its minimum (night) is 5 to 1 and (it is changeable, on the basis of order).

Controller circuit is considered in a separated package.

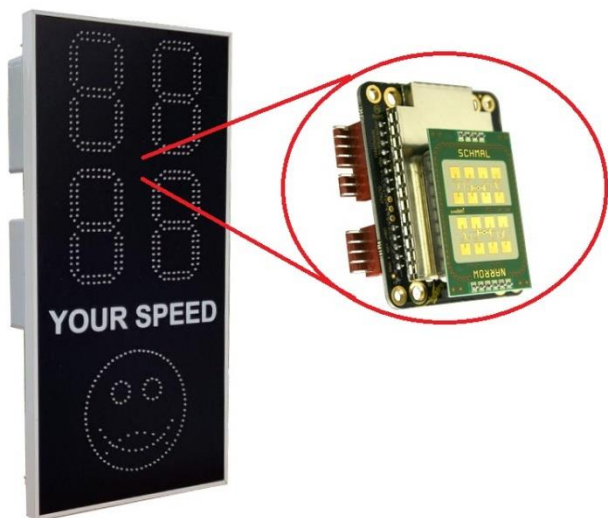
**MTP POLAND sp.zo.o**

NIP: 5252655683 REGON: 364224743 KRS: 0000612101

Email: [info@mtppoland.com](mailto:info@mtppoland.com)

[www.UATmtp.com](http://www.UATmtp.com)

## Radars



CW Doppler device operating in the K-Band (24GHz)

## Other Spare Parts



5-inch house clamp



3-inch Stainless Steel Clamp

**MTP POLAND sp.zo.o**

NIP: 5252655683 REGON: 364224743 KRS: 0000612101

Email: [info@mtpoland.com](mailto:info@mtpoland.com)

[www.UATmtp.com](http://www.UATmtp.com)

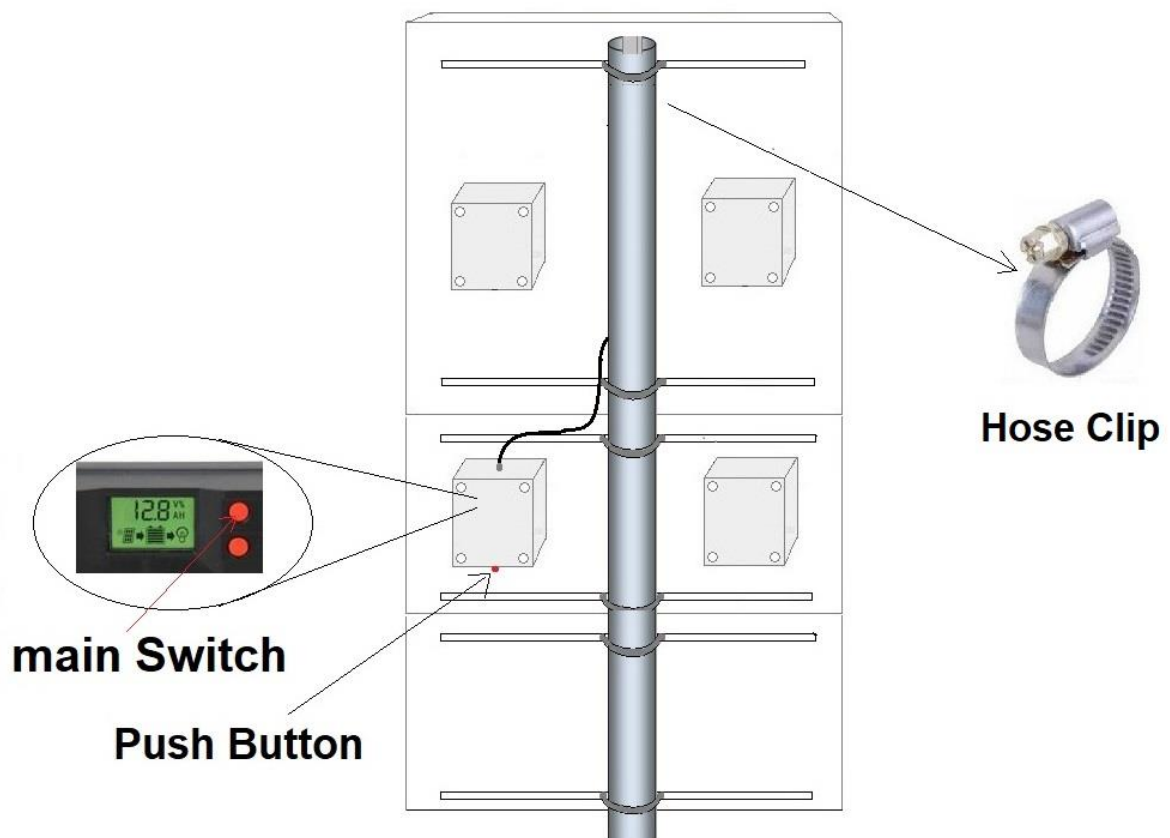
# Installation Guide

## Installation:

### Four Steps to Installation:

- 1- Fixing Sign Board on the Pole with Hose Clip,
- 2- Open Controller Box and Connect Power Supply Cable to terminal,
- 3- Turn ON main switch on the charge controller,
- 4- Adjust speed limit by push button which is below of control box, it will increase with 5km steps, green light shows speed limit after each push,

**Note:** If want keep sign on the store, please turn OFF main switch,



**MTP POLAND sp.zo.o**

NIP: 5252655683 REGON: 364224743 KRS: 0000612101

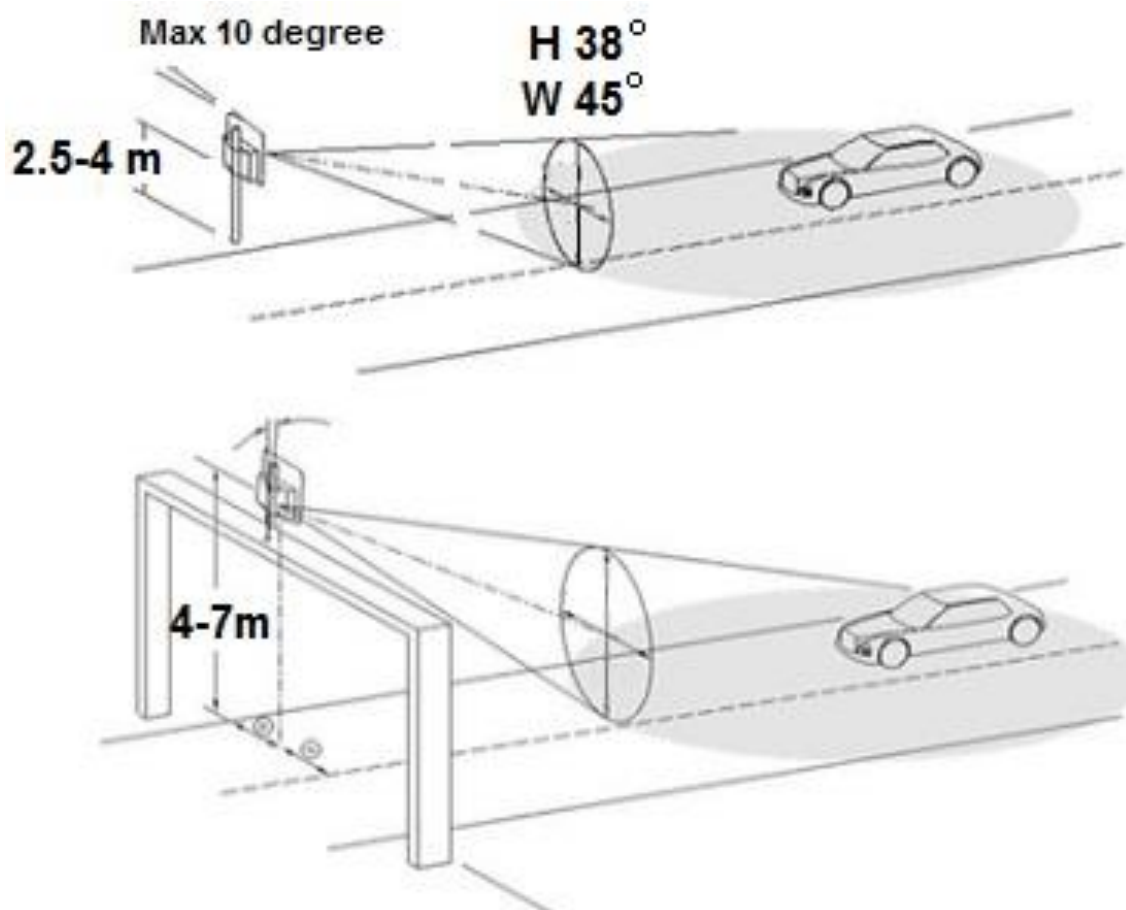
Email: [info@mtpoland.com](mailto:info@mtpoland.com)

[www.UATmtp.com](http://www.UATmtp.com)

**Note:**

The Your Speed Sign fixed on the road left or right, or just above the road, so that the direction of the radar port to the car, the tilt angle of not more than 10 degrees.

If it is fixed above the road, the radar fixed position should be radar Cavity oblique angle alignment to the car location. At the same time, the higher the distance between the radar and the ground, the farther away the radar works. Generally, the distance from the ground to radar in 2.5-7 m is better.

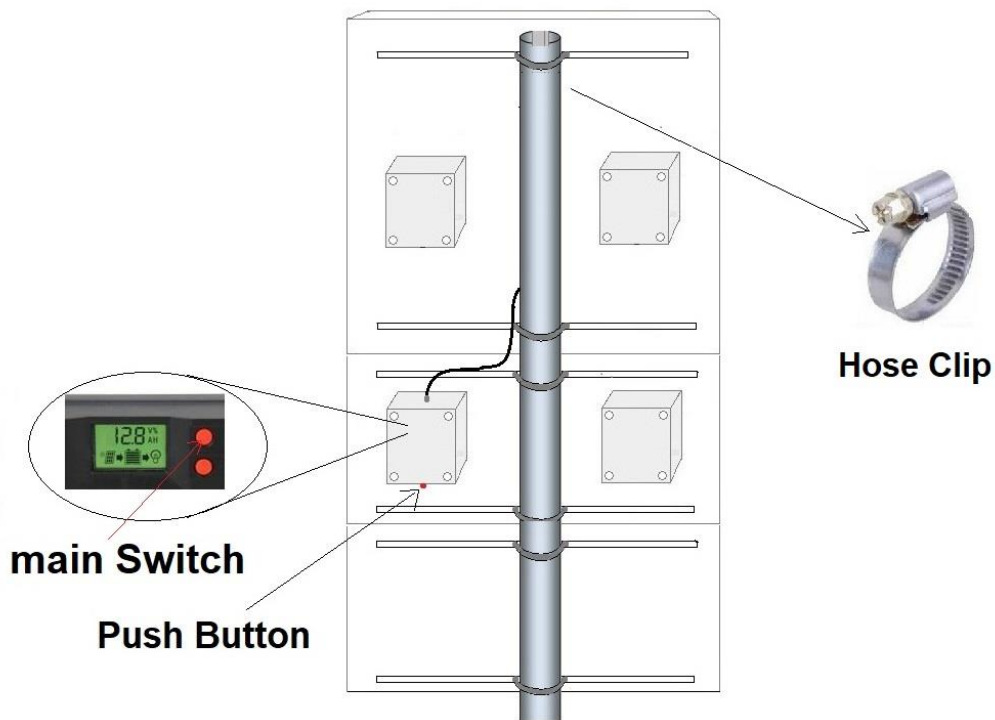
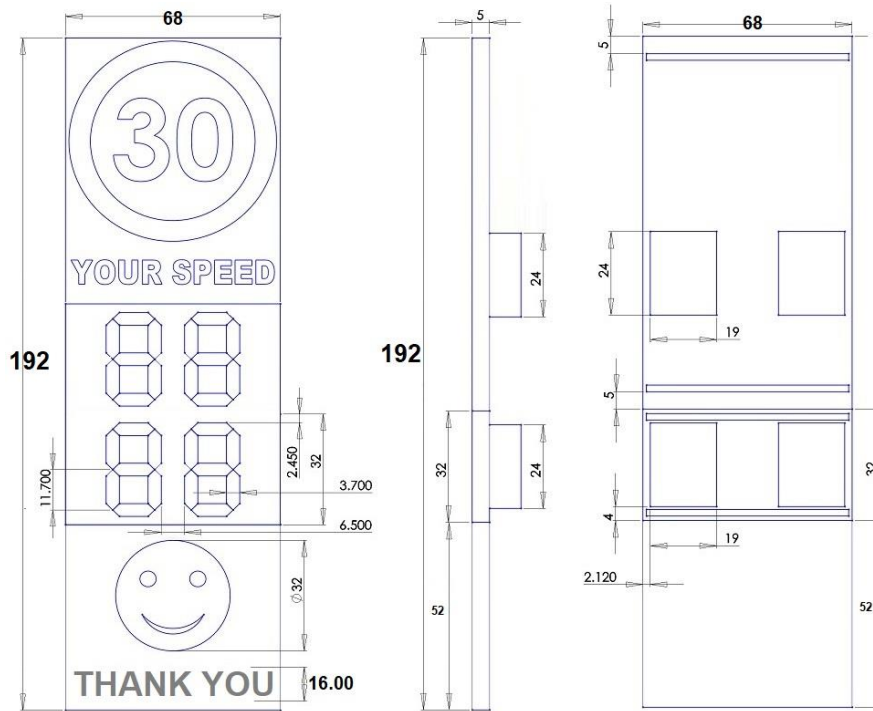


**MTP POLAND sp.zo.o**

NIP: 5252655683 REGON: 364224743 KRS: 0000612101

Email: [info@mtpoland.com](mailto:info@mtpoland.com)

[www.UATmtp.com](http://www.UATmtp.com)



**MTP POLAND sp.zo.o**

NIP: 5252655683 REGON: 364224743 KRS: 0000612101

Email: [info@mtpoland.com](mailto:info@mtpoland.com)

[www.UATmtp.com](http://www.UATmtp.com)